

MAINTENANCE

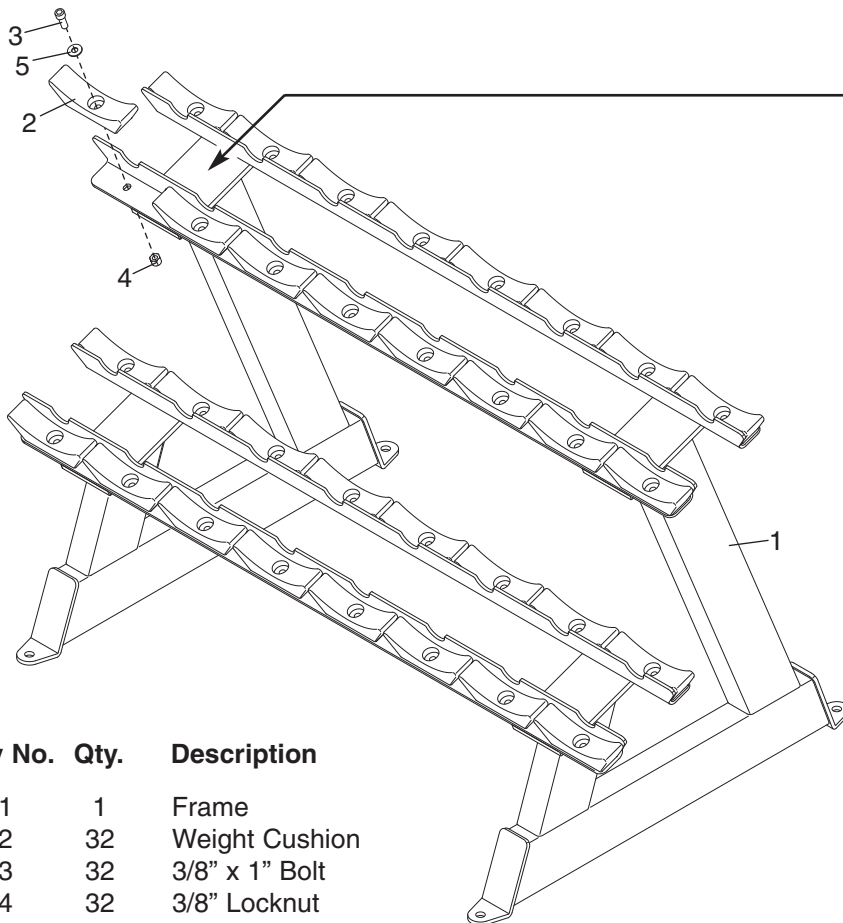
It is important for safe and trouble-free operation of the FREEMOTION EPIC strength equipment to perform preventive maintenance on a regular basis. To maintain the strength equipment's warranty, use only FREEMOTION EPIC parts for repair or replacement. If there are any questions or concerns, see HOW TO CONTACT CUSTOMER CARE on the back cover of this manual.

Check all nuts and bolts, and tighten them if they are loose. Clean the frame using a soft cloth dampened with warm water and mild soap. Rinse the frame thoroughly using a soft cloth and clean water. Dry the frame thoroughly.

Important: Do not use abrasive cleaners or solvents, because they may scratch the strength equipment or

damage the decals. When using any cleaning product, try it first in an inconspicuous place. Follow the directions and safety precautions provided by the manufacturer of each cleaning product used. FreeMotion Fitness and its vendors cannot be held liable for damage or injuries resulting from the use or misuse of cleaning products.

PART LIST/EXPLODED DRAWING—Model No. GZFW2075.0



Key No.	Qty.	Description
1	1	Frame
2	32	Weight Cushion
3	32	3/8" x 1" Bolt
4	32	3/8" Locknut
5	32	3/8" Washer
#	1	Owner's Manual

Note: “#” indicates a non-illustrated part. Specifications are subject to change without notice. See the back cover of this manual for information about ordering replacement parts.



The decal shown above has been applied in the location shown. If the decal is missing or illegible, see HOW TO CONTACT CUSTOMER CARE on the back cover of this manual and order a free replacement decal. Apply the decal in the location shown.

Equipment Dimensions:

Height: 76 cm (30 in.)
Width: 124 cm (49 in.)
Depth: 79 cm (31 in.)

Bubble #	OEM Number	Description
1	GZ5511	FRAME
2	GZ1141	WEIGHT CUSHION
3	GZ1014-01	3/8" X 1" BOLT
4	GZ1007	3/8" LOCKNUT
5	GZ1074	3/8" WASHER